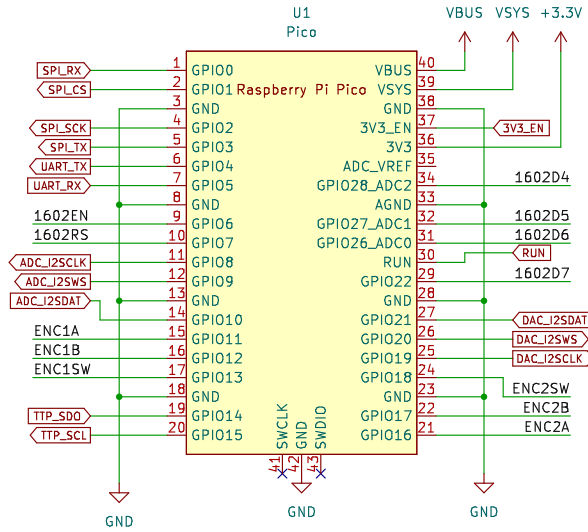
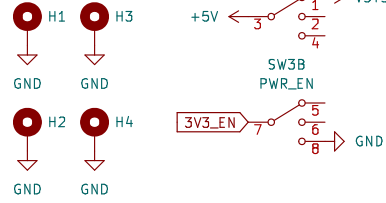


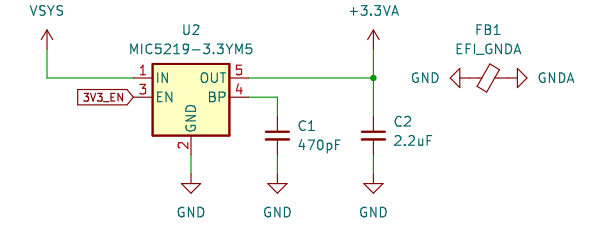
MCU



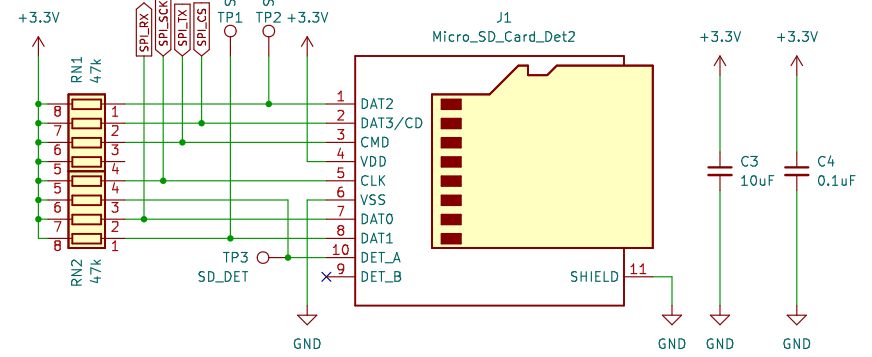
Power Enable



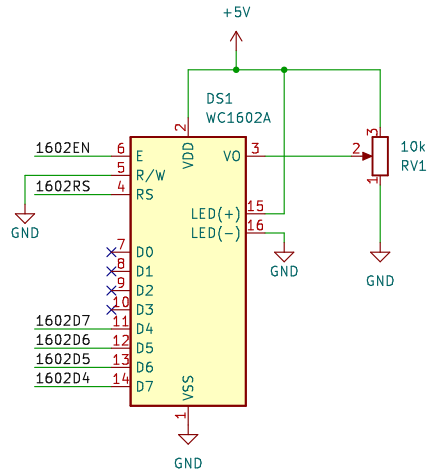
3.3v Analog Power Supply



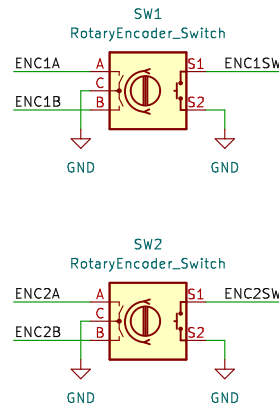
Micro SD Card



1602 Display



Encoders



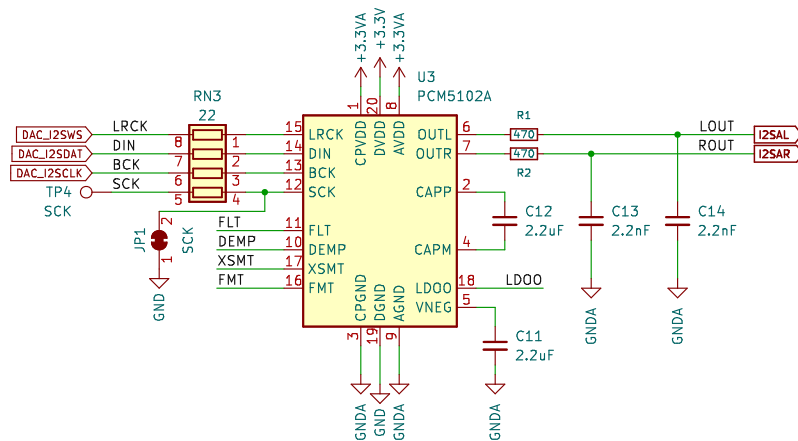
I2S DAC File: i2s_dac.kicad_sch	I2S ADC File: i2s_adc.kicad_sch	Audio Output File: audio_out.kicad_sch
Battery File: battery.kicad_sch	Touch Keyboard File: keyboard.kicad_sch	MIDI File: midi.kicad_sch

D Cooper Dalrymple
pico-synth-sandbox.dcdalrymple.com

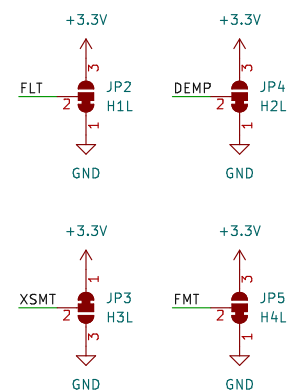
Sheet: /
File: pico_synth_sandbox.kicad_sch
Title: pico_synth_sandbox - MCU

Size: A	Date: 2023-09-19
KiCad E.D.A. kicad 7.0.9+dfsg-1	Rev: 2 Id: 1/7

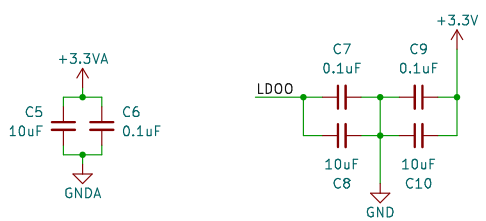
DAC



Configuration

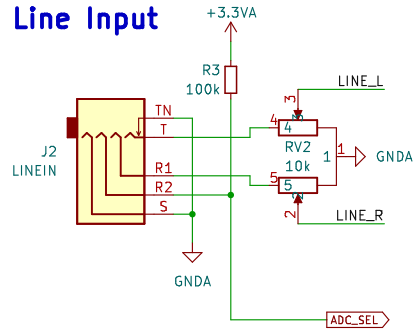


Power Filtering

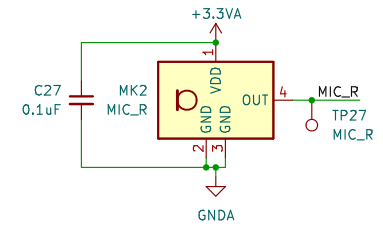
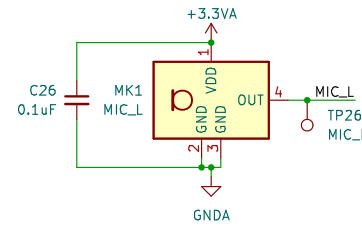


D Cooper Dalrymple pico-synth-sandbox.dcdalrymple.com	
Sheet: /I2S_DAC/ File: i2s_dac.kicad_sch	
Title: pico_synth_sandbox - I2S DAC	
Size: A	Date: 2023-11-30
KiCad E.D.A. kicad 7.0.9+dfsg-1	Rev: 2 Id: 2/7

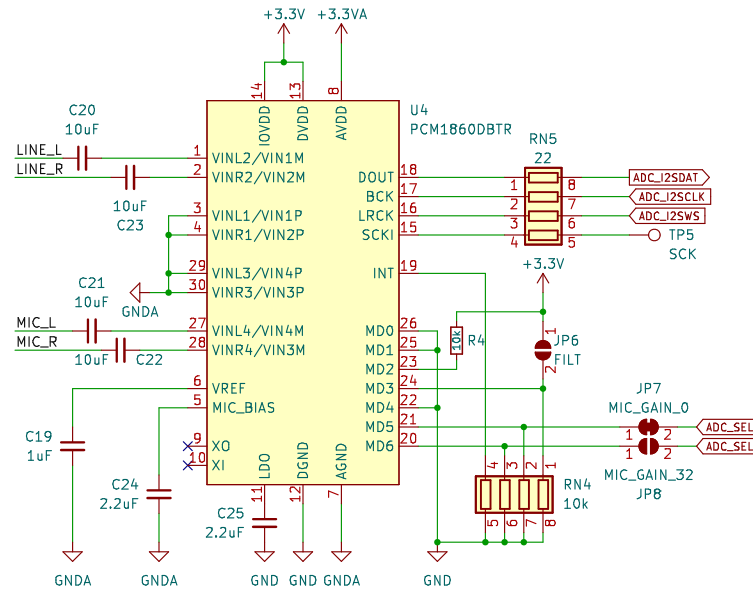
Line Input



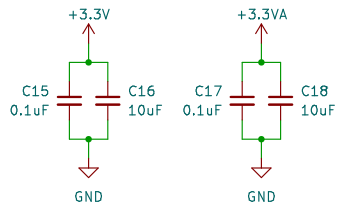
Stereo Microphones



ADC



Power Filtering



D Cooper Dalrymple
pico-synth-sandbox.dcdalrymple.com

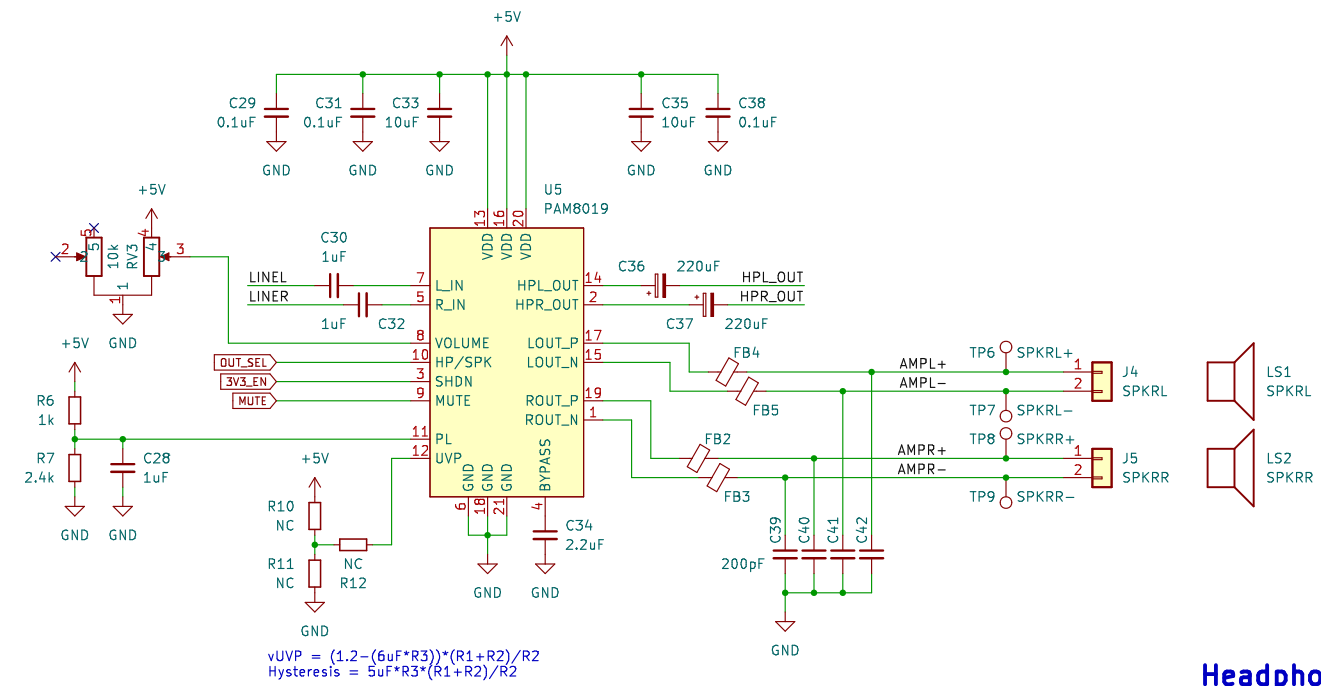
Sheet: /I2S ADC/
File: i2s_adc.kicad_sch

Title: pico_synth_sandbox - I2S ADC

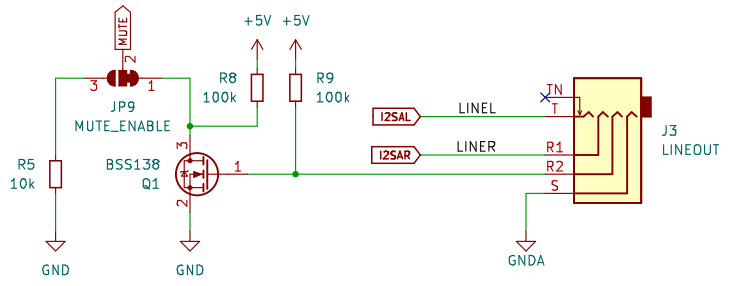
Size: A Date: 2023-11-30
KiCad E.D.A. kicad 7.0.9+dfsg-1

Rev: 2
Id: 3/7

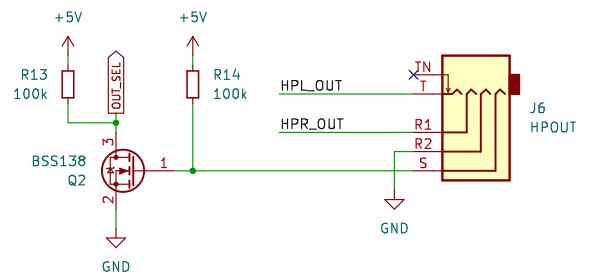
Stereo Speaker/Headphones Amplifier



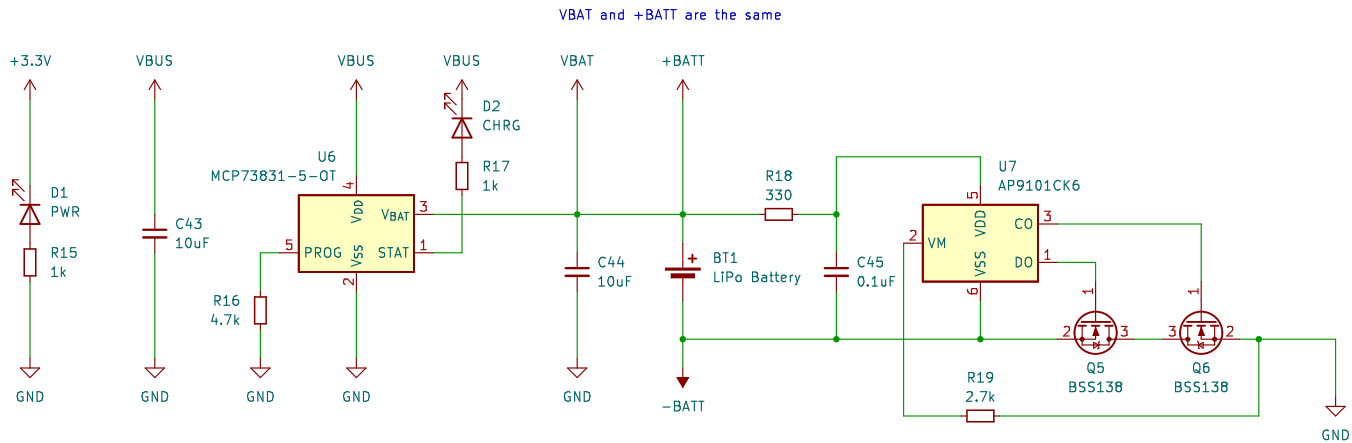
Line Output



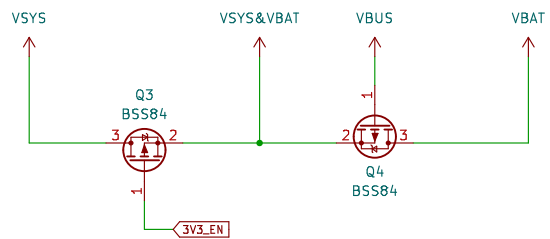
Headphones Output



D Cooper Dalrymple pico-synth-sandbox.dcdalrymple.com	
Sheet: /Audio Output/ File: audio_out.kicad_sch	
Title: pico_synth_sandbox - Audio Output	
Size: A	Date: 2023-11-30
KiCad E.D.A. kicad 7.0.9+dfsg-1	Rev: 2 Id: 4/7



VBUS/VBAT Power Switching and Power Enable Switch



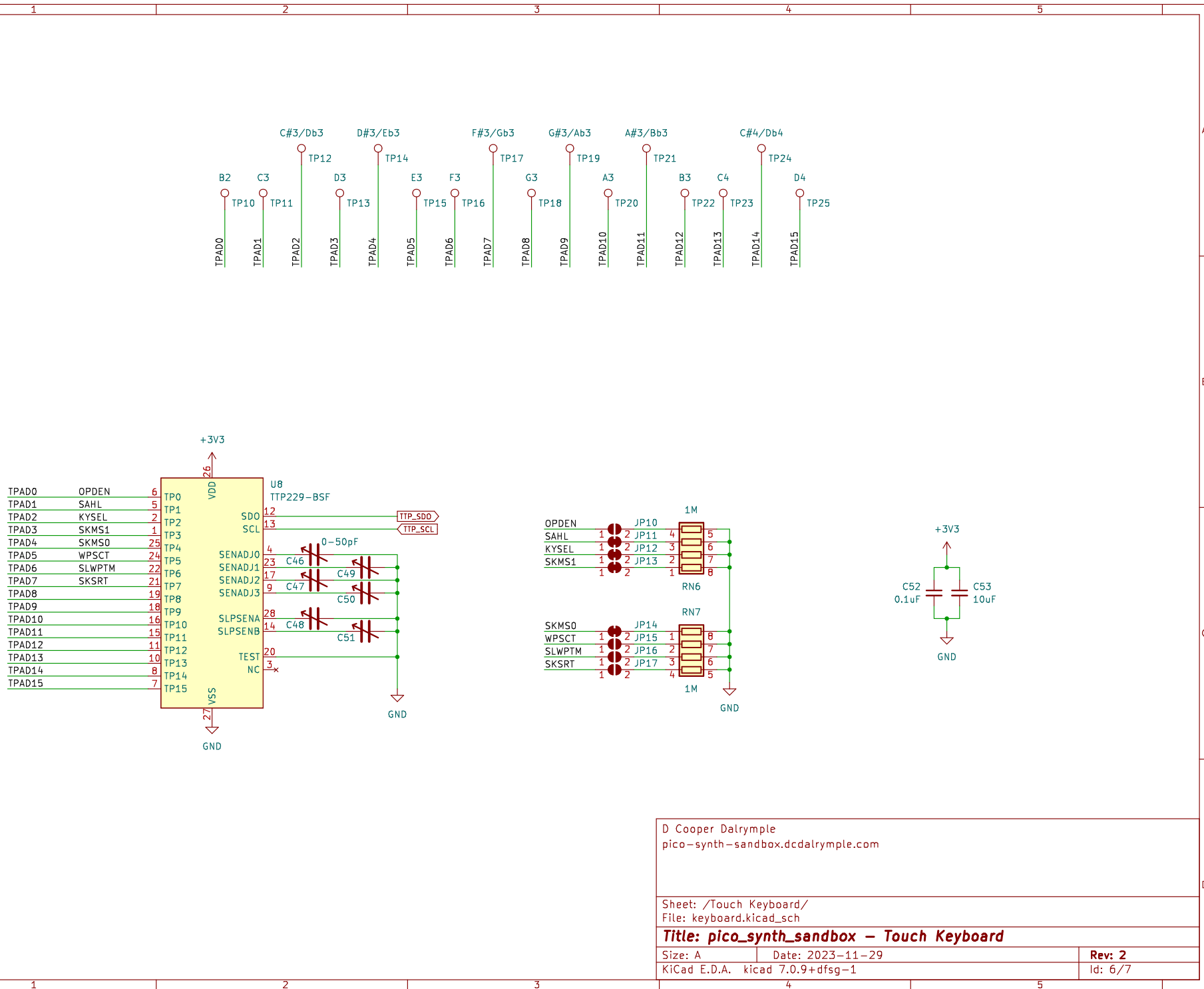
D Cooper Dalrymple
 pico-synth-sandbox.dcdalrymple.com

Sheet: /Battery/
 File: battery.kicad_sch

Title: pico_synth_sandbox - LiPo Battery Power & Charging

Size: A | Date: 2023-09-19
 KiCad E.D.A. kicad 7.0.9+dfsg-1

Rev: 2
 Id: 5/7



D Cooper Dalrymple
 pico-synth-sandbox.dcdalrymple.com

Sheet: /Touch Keyboard/
 File: keyboard.kicad_sch

Title: pico_synth_sandbox - Touch Keyboard

Size: A | Date: 2023-11-29
 KiCad E.D.A. kicad 7.0.9+dfsg-1

Rev: 2
 Id: 6/7

